

Instrument Washing Machine

TR-DWD01



01 Overview

Product Brief Introduction & Feature

The machine TR-DWD01 accord with the new oral disinfection technical specification requirements, touch screen realized fully automatic washing, simple operation, energy conservation and environmental protection. the machine could show & print temperature at any time. When setting the washing temperature to be 93°C, the A0 value reach and above 3000, meeting the moist heat sterilization standard. The design of 2 layers mesh basket plus professional hand piece cleaning bracket and super capacity can satisfy one-time cleaning of dental hand pieces, appliance, surgical instruments and other experimental vessels. According to the instruments type, our machine is optimized to provide six smart washing procedures to meet the diversification of cleaning .

02 Safe Handling Attentions

Warning

Please read the instruction before using to avoid accidents

- Incorrect grounding lead connection may take you dangerous.
- Please check the reliability of the grounding lead connection. Do not use self-buying power cord. If your socket is not match with our machine's power cord, please find a qualified electrician to match it for you
- Do not use the washer before installing it properly
- if the soft wire of power supply is damaged, in order to avoid danger, must ask maker's professional person to change for you.
- Please do not use the function if the machine without.
- When installing, do not over bend and squeeze the power cord.
- Do not change the connection of the circuit board.
- If overflow occurs, turn off the tap before repairing.
- If the chassis is flooded due to overflow or leakage, the water must be wiped up before starting the machine.
- The machine must be used indoor.

Attentions

1. When the machine is working, please do not open the door to avoid burning by the steam. If you need open the door midway, please press the "pause" button and take safeguard protective, then open the door slowly.

2. Do not place any heavy object on the opening door of the machine. The door should not keep in open status all the time.

3. Must be sure that the power cord of the machine is properly grounded. The machine is with grounded lead's connection terminal, so please use the matched socket with the terminal. Please make sure that the power cord is connected, the machine's grounding wire can be effectively connected with public power of the ground wire.

4. Do not place instruments over the cleaning tank.

5. Do not plug or pull the power plug by wet hand .

6. Do not wipe the surface of the machine by something with solvent and abrasive.

7. Must avoid Strong electromagnetic interference when using.

8. Must use special Multi-enzyme detergent ,other products cannot instead of it.

9. The machine with water softener must use special salt, and it is not allowed to replace the salt with edible salt. After adding salt, must run the washing program to prevent the salt water overflow from corroding the filter, inner and other important parts.

10. When maintenance the machine or long-term not using, must unplug the power plug and turn off the faucet.

03 Technical Feature

Product Parameters

- 1.Power supply: 220V 50Hz; Rated power: $\leq 1760W$
- 2.Rated external water pressure: 0.04-1.00MPa.
Supporting cold/hot water;
- 3.Internal flow pressure: 0.3-0.4MPa;
- 4.Collocating intelligent water softener: Adding special salt can improve water quality and enhance cleaning effect;
- 5.Safety device: Automatic fault diagnosis (prompt) and emergency shutdown;
- 6.Water inlet filter: Porosity 96%; The filter speed: 20-85m/h
- 7.Lumen volume: 160L;
- 8.Dry method: hot wind dry
- 9.Dimension-Main Unit: 590*570*830 (L*W*H mm) ;
- 10.Packing size: 680*680*930 (L*W*H mm) ;
- 11.Net weight: $\leq 44.5kg$;
- 12.Working Noise: $\leq 50dB$

Packing List

1.Mainframe	1 piece	7.Drain pipe	1 strip
2.Cleaning basket	2 pieces	8.Specification	1 piece
3.Salt hopper	1 piece	9.Rubber Isolators	32pieces
4.Cleaning rack	1 piece	10.End cap	32pieces
5.Accessories basket	2 pieces	11.Measuring cup	2 piece
6.Water inlet	1 strip	12.Upper rack	1 piece

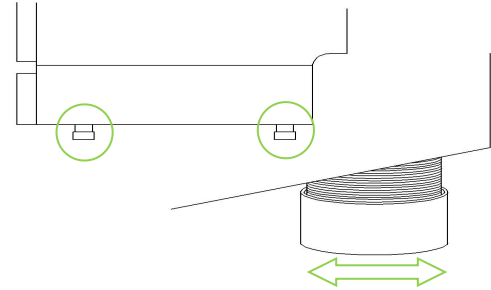
04 Installation Instructions

- ◆ Remove the packing and install mounting plate.

Remove the packing, then open the front door of the machine and remove accessories . It is strictly prohibited to test the machine on foam bottom mat or cleaning it.

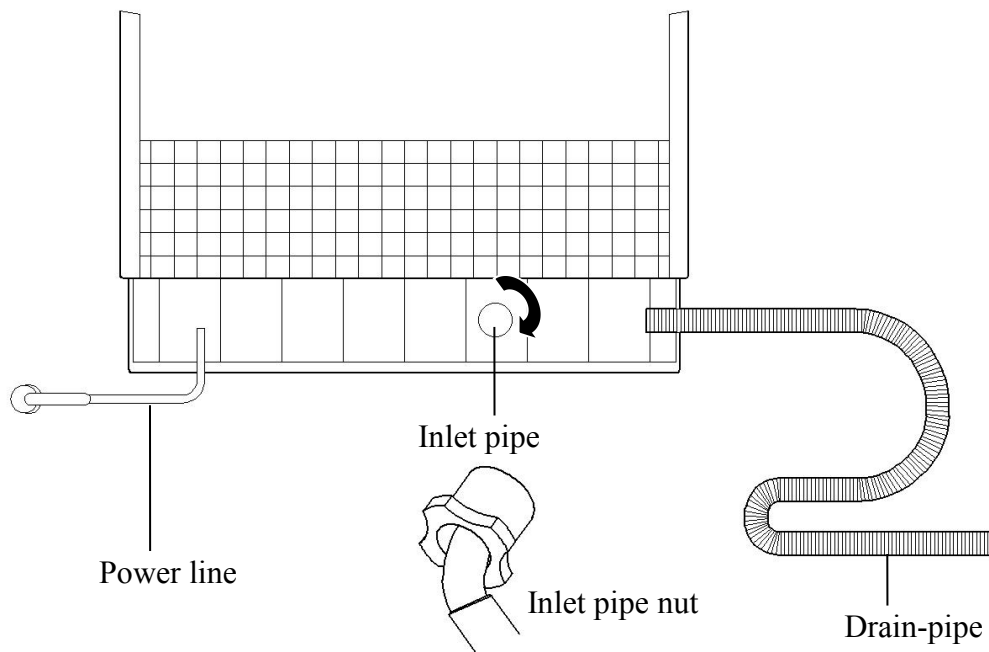
- ◆ Place the washer

The ground should be solid and flat, you could adjust the height through rotating the stand bar to keep it in level.



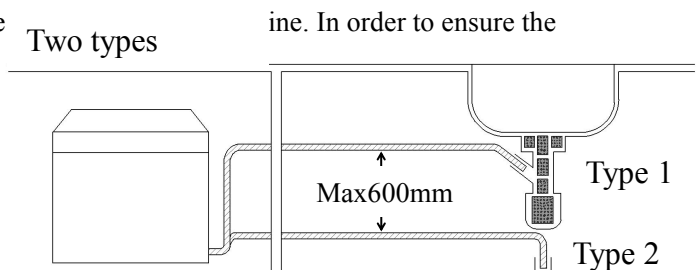
- ◆ Inlet pipe installation

The inlet pipe need connect to the inflow blast hole on the back machine, and the inflow pipe's elbow should be horizontal and same direction as the inlet water.



- ◆ Drain-pipe connection

Put the outlet water end of the drain pipe washer's performance , the length of drainage pipe should be not exceed 5 meters, the hanging height of the drainage pipe should be not higher than 600mm , not lower than 300mm.



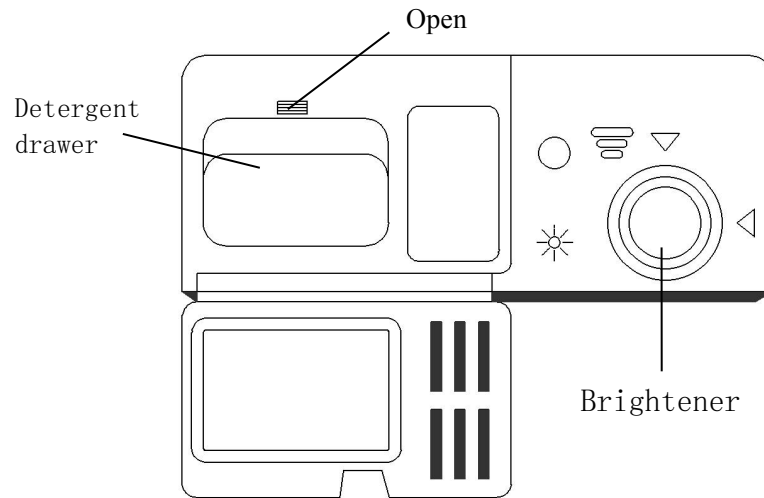
- ◆ Power connection

Connect the power socket well. The power voltage and frequency should be same as the parameters of the product.

05 Direction For Use

Dispenser Using

Gently press the open cover button to push outward along the direction of the arrow. As the picture showing to open the drawer and add the needed multi-enzyme detergent and brightener. Then you can push it to close it until the “Ka” sound.



Detergent: The main washing water intake is about 3~3.5L, please add cleaning enzyme at a ratio of 300:1 (that is, 300ml of water needs to add 1ml of cleaning enzyme). also pls follow the instruction from detergent factory.

To fill the brightener about 70ml, it can be used for many times. And close the cover of the brightener drawer.

Special Salt Addition

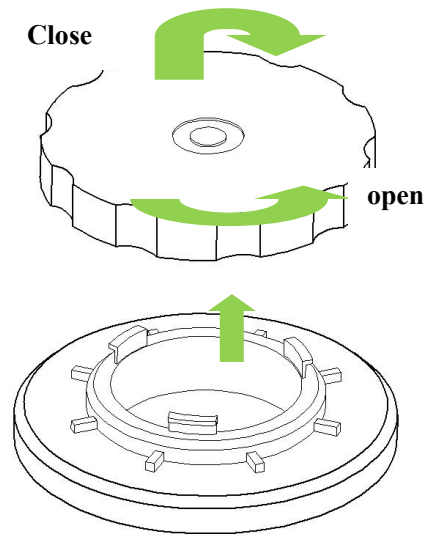
The salt to be soft the hardness of the water. If you use the pure water. Pls do not need to add the salt.

Counterclockwise open the cover of the water softener and insert the salt hopper.

Need add about 70g (10 pieces of special salt for each machine, which can be used many times

for one addition. After adding salt, add water to the water softener, do not overflow; clockwise rotate the softener cover to prevent salt leakage from corroding the inner tank. If salt is spilled on the bladder, the procedure must be run to flush once.

Note: The indicator light may not be off immediately after adding salt, which is normal and will not affect normal use (Due to differences of water quality and room temperature, it will take 2 to 6 days for salt to be dissolved and reach saturated state) .



Baskets

The washing area of instruments cleaning machine is divided into two layers, which can be used as per your demand.



◆ Upper hand pieces cleaning rack placement



The hand pieces are inserted directly into the rubber seat of the rack. Please do not put it to the bottom to prevent water from flowing into the hand pieces. The rack can clean at most 32 hand pieces each time. when the machine working, you could cover the end cap on the rubber seat.

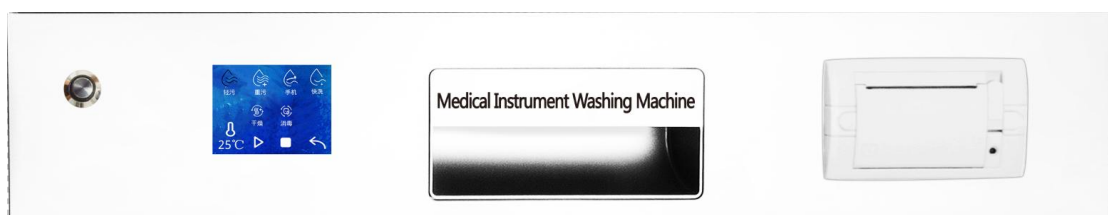
◆ Bottom Layer



The sub layer basket can be used matching the accessory basket, It can be placed more than 100 mouth mirror, 20 tooth forceps, 70 forceps apparatus sterilization box tray and so on each time.

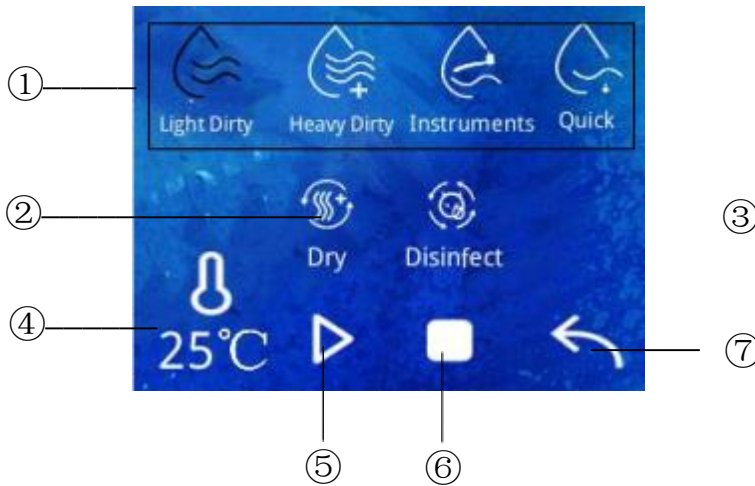
Description Of Control Panel

◆ Display Screen Introduction





The interface of the program choose





① choose the washing programs as per your requirements.

② Set up the Dry function:the dry function is closed by default. press the dry key,the dry function is on when the key turn dark.


(not all the machine have the dry function)

③Set up Disinfect function:the disinfect function is closed by default.press the disinfect key. The disinfect function is on when the key turn dark.

④ The display of the water temperature

⑤ Start/pause:after choosing the program, press the  key . The program start up. press the  key to pause.

Notice: when the program is running,except the start/pause key.other key are no longer in force.

⑥ Stop the program. Press the  key .there will a notice “whether cancel this program” . press yes, this program will be stop.

⑦ when the program stop running, the machine can back to main interface.

Back to interface: you can back to main interface after setting up.

Set up the Date and time: touch it. you can edit the date and time.



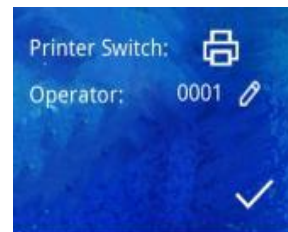
Set up the language: you can choose English or Chinese

Set up the printer:

You can set up open the printer

Or close the printer

Also you can edit the operator number



Set up the dry function:

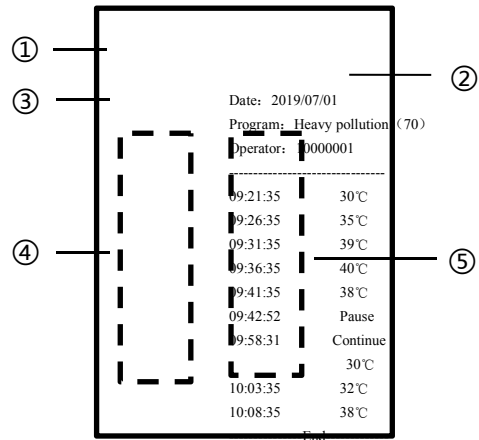
You can set up the different dry time

As per the different programs.

Notice: The quick washing no the dry function.



It could print the washing date, program, operator and the time with temperature on the paper.

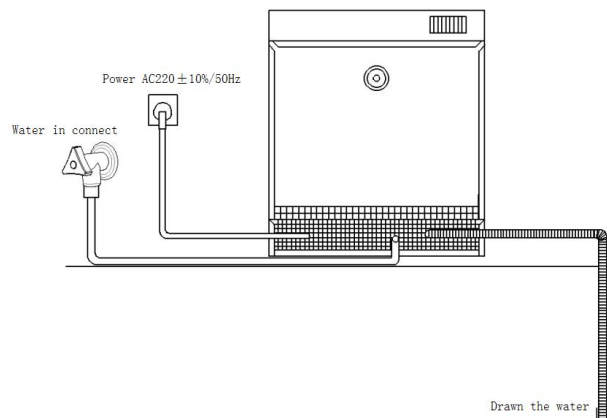


Press the ON/OFF button, enter ready mode; then press program button to select washing mode you need on display screen interface, then press Start/Pause button, the display screen will show the present program by words and enter washing status.

Note: when the washing program is running, the main setting interface is forbidding using status.

Using Introduction

1. Connect the water inlet pipe and water drain pipe.



3. Turn on the tap. Open the water valve (keep the water be on during washing).



2. Connect the power plug.



3. Open the machine's door, press the button left as per the arrow indicating, open the dispenser cover, pour the multi-enzyme detergent into the box then close it.



4. Place the instruments properly into the washer.

Then close the washer door and confirm the door is closed and locked (A snap can be heard when the lock is tight) .



5. Press the ON/OFF, start power supply.



6. Select the washing procedure, then press the start/pause button for cleaning.



7. The machine will finish the washing work when the buzzer give the sounds like “Di Di....” 6 times. The dry procedure will start to work.

8. Open the machine door after finish washing 5 minutes and remove the instruments.

Note: when the program is running, if you need change program, please press power button and re-start to enter program selecting main interface.

There are small amount of steam once the water temperature up to 90°C. in order to help the machine to Difuse the steam. Pls open the door in time after the machine finish the program.

Washing Procedure Introduction

programs	Description	Detergent	Running time (minutes)	Extra program
Heavy dirty	Heavy pollution or stored long time	10ml	65	+dry +disinfect
Light dirty	Light pollution or immediately washing	10ml	50	+dry +disinfect
Handpiece	Short washing time for hand piece	10ml	40	+dry +disinfect
Quick washing	Short time washing with cold water	0ml	12	—

Notes: For example, with the "+disinfection" function, the running time will be extended by about 30 minutes; with the "+drying" function, the duration can be set by yourself. The total cleaning time is the running time of each program + disinfection time + drying time.

The running time values provided in the table are for reference only, and there may be differences in actual use due to differences in ambient temperature, tap water temperature, pressure and cleaning equipment.

06 Malfunction Analysis & Exclusion

Common Fault Solving

When the washer break down, you check the Malfunction Analysis & Exclusion to help you deal with some common faults. If you cannot solve the problem by yourself, please ask a professional for help.

Malfunction	Possible Cause	Solutions
The washer can not operate	Fuse blowout, Breaker off.	Replace the fuse or reset the circuit breakers and disconnect other devices that share same line with the washer.
	The power is not on.	Make sure the power is turned on and the door is closed. Make sure the power plug is properly connected to the socket.
	Water pressure is too low.	Check the water inlet equipment to make it connected ok and the faucet turned on.
The drainage pump cannot stop.	Overflow occurs	The washer with overflow protector, When overflow occurs, the circulating pump will be closed and the drain pump will be opened.
Noisy	The internal instruments were not placed correctly	Make sure each instrument in the washer is properly placed.
	The pump hum	If the washer is not used regularly, need make sure the water inflow and drain every week, which could keep the sealing strip moist.
There is foam	Incorrect use of the detergent	Please use special detergent. If foam occurs, running the cleaning process until the foam cleared away.
There is steam	Normal phenomenon	When draining, a bit amount of steam leaks through the door
Water remains on the inner bottom	Normal phenomenon	A bit amount of water on the inner bottom could keep the sealing strip moist.
Leak water	Uneven installation of machine	Make sure the washer is in level.

Error code: in case of failure, the washer control LCD section will display as follows:

Display usage	Implication	Possible cause	Solutions
The prerinse indicator flashes quickly	Water inflow anomalies	The water pressure is too low; Inlet pipe clogging;	Check whether the faucet is open and check the water pressure or ask professional maintenance person to repair.

		Faucet is not open.	
The instrument indicator flashed quickly	Overflow occurs	some parts of the washer is leaking	Please turn off the tap and ask professional maintenance person to repair it

07 Maintenance

Maintenance

1. Wipe the washer door's edge with a soft wet cloth every day.
2. Cut off the water and open the door slightly to prevent moisture and odor.
3. Clean the filter.

In order to maintain a good performance and washing effect, you should clean the filter components regularly. Remove the coarse filter after each washing and rinse under running water, Unscrew the lifting cup, then lift up to remove the lifting cup and filter components. the filter components should be cleaned each week, Brush can be used to clean the coarse filters and micro-filters.

Storage Conditions

The washer should be stored in a cool and dark place that the relative humidity not more than 80% without corrosive gas and good ventilation after packing.

Transport Conditions and Methods

The washer can be transported by common vehicle after packing, but we should prevent the violent impact, vibration, rain or snow splash in transportation.